
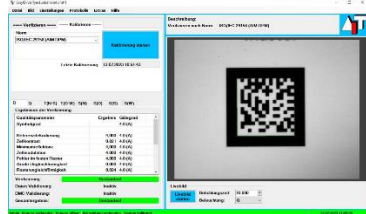
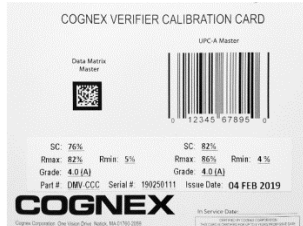

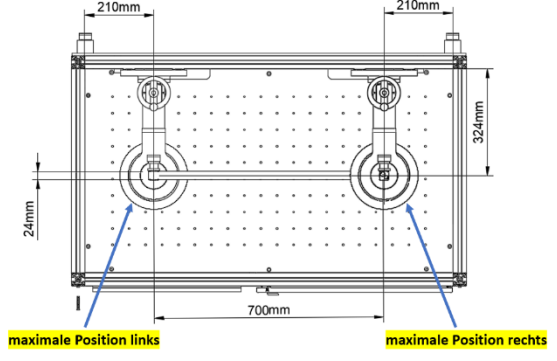


### Features of the Verifier Unit:

- Data-Matrix verification for process control according to ISO/IEC 29158 (AIM DPM) and ISO/IEC 15415
- Easy menu-driven software with article management (saving the axis positions, exposure time, etc.)
- Validation of the Data-Matrix code content
- Validation of the Data-Matrix code geometry (size, number of modules)
- Simple PC connection to the evaluation unit via Ethernet TCP/IP
- Logging (PDF) of the verification results with image, individual quality values and defects
- Logging of results in CSV file
- Applicable to a variety of parts especially directly marked parts


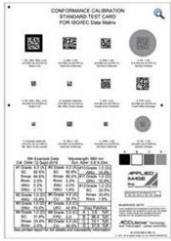
<b>Measuring unit:</b>	
<ul style="list-style-type: none"> <li>• High resolution camera system In-Sight 8402 with 1600x1200 pixels</li> <li>• Flexible controllable illumination units (Dome light with integrated coaxial light and 4 quadrants illumination module 30°)</li> </ul>	
<b>Software:</b>	
<ul style="list-style-type: none"> <li>• User and menu-guided software</li> <li>• Simple article parameterization and system calibration</li> <li>• High-performance verification based on the new ISO 29158 standard</li> <li>• Clear result displays and report generation</li> <li>• (Optional) Control of the automatic z-axis</li> </ul>	
<b>Calibration card:</b>	
<ul style="list-style-type: none"> <li>• Contains both types of calibration target symbols</li> <li>• Can be used to calibrate any tester</li> <li>• Contains only master grade symbols and no intentionally produced "conformance check symbols" with low grades.</li> </ul>	

Station incl. built-in controller:	
<ul style="list-style-type: none"> <li>Adjustable design for small to large parts (includes evaluation unit)</li> <li>Solid aluminum profile frame with 2 adjustable axis (Y, Z) and position indicators</li> <li>Base plate with M6 drilling grid for mounting of brackets, clamping fixtures and component collets</li> <li>Complete basic system with frames, axis, base plate for mounting on fixing plate and with wheeled substructure (ascertainable)</li> <li>Darkening with macrolon panes against external light from the top, back and side</li> <li>Dimensions (LxWxH): 1200x700x1900 mm<sup>3</sup></li> <li>Working table height 1040mm</li> <li>Connection to the PC and network via RJ45 plug</li> </ul>	
Perspective view in dimensions (mm)	
<ul style="list-style-type: none"> <li>Adjustable position range of 700 mm in X and 24 mm in Y</li> </ul>	

Technical specifications	
Image sensor	1600x1200 Pixel
Illumination	Dome light with integrated coaxial light and 4 quadrants illumination module 30°
Wavelength of the illumination	660nm (Light color: Red)
Type of code	2D Data-Matrix (ECC200)
Min. module size	0,2mm
Image section (optional other)	32x24mm <sup>2</sup>
Max. Height of the test level	370mm
Communication	Ethernet
Supply voltage	110V- 230V AC, 50Hz
Number of network connections TCP/IP, RJ45	2
Number of network connections TCP/IP, RJ45, PoE	1
Operating temperature	0°C to 45°C (32°F to 113°F)

Storage temperature	-30°C to 80°C (-22°F to 176°F)
Air humidity in operation and storage	25% to 80% non-condensing
Certifications (CE, UL, FCC)	Yes

System requirements for software
<p><b>Minimum</b> (applies to PCs connected to a single In-Sight vision system)</p> <ul style="list-style-type: none"> <li>• Intel® Celeron® 1000M with 1.8 GHz (or equivalent processor)</li> <li>• 2 GB available RAM</li> <li>• 4 GB available hard disk space</li> <li>• Video card with a resolution of 1280 x 768 at 24-bit color depth. A DPI display setting of 96 DPI is required</li> <li>• Network card (100 Mbps minimum) for connection to In-Sight vision systems</li> <li>• Windows 10/11</li> </ul> <p><b>Recommended</b> (for PCs connected to up to four In-Sight vision systems)</p> <ul style="list-style-type: none"> <li>• Intel® Core™ i7 core CPU with 2,7 GHz (or equivalent processor)</li> <li>• 4 GB available RAM</li> <li>• 8 GB available hard disk space</li> <li>• Video card with a resolution of 1920 x 1080 at 32-bit color depth. A DPI display setting of 96 DPI is required</li> <li>• Gigabit network card for connection to In-Sight systems</li> </ul>

Order information		
Item no.	Description	Image
111139	AIT EasyID Verifier Station*  *PC not included	
111183 (optional)	Electrical z-axis	
111184 (optional)	Roller shutters for secure storage	
042461 (optional)	The testing card contains conformance test symbols in the form of data matrix symbols with intentional errors to verify the reporting functions of the tester and document conformance.	
000188 (optional)	Maintenance flatrate Mechanical check, electrical check and software update	