



- Weltweit kleinstes, autarkes Bildverarbeitungssystem mit 2MP oder 5 MP Auflösung
- Bibliothek leistungsfähiger Vision-Tools - PatMax RedLine™, OCRMax™ und IDMax®
- Setup von Anwendungen mit EasyBuilder Tabellenansicht und Scripting
- Hochgeschwindigkeitsverbindung mit Gigabit Ethernet
- Schnelle Bildaufnahme

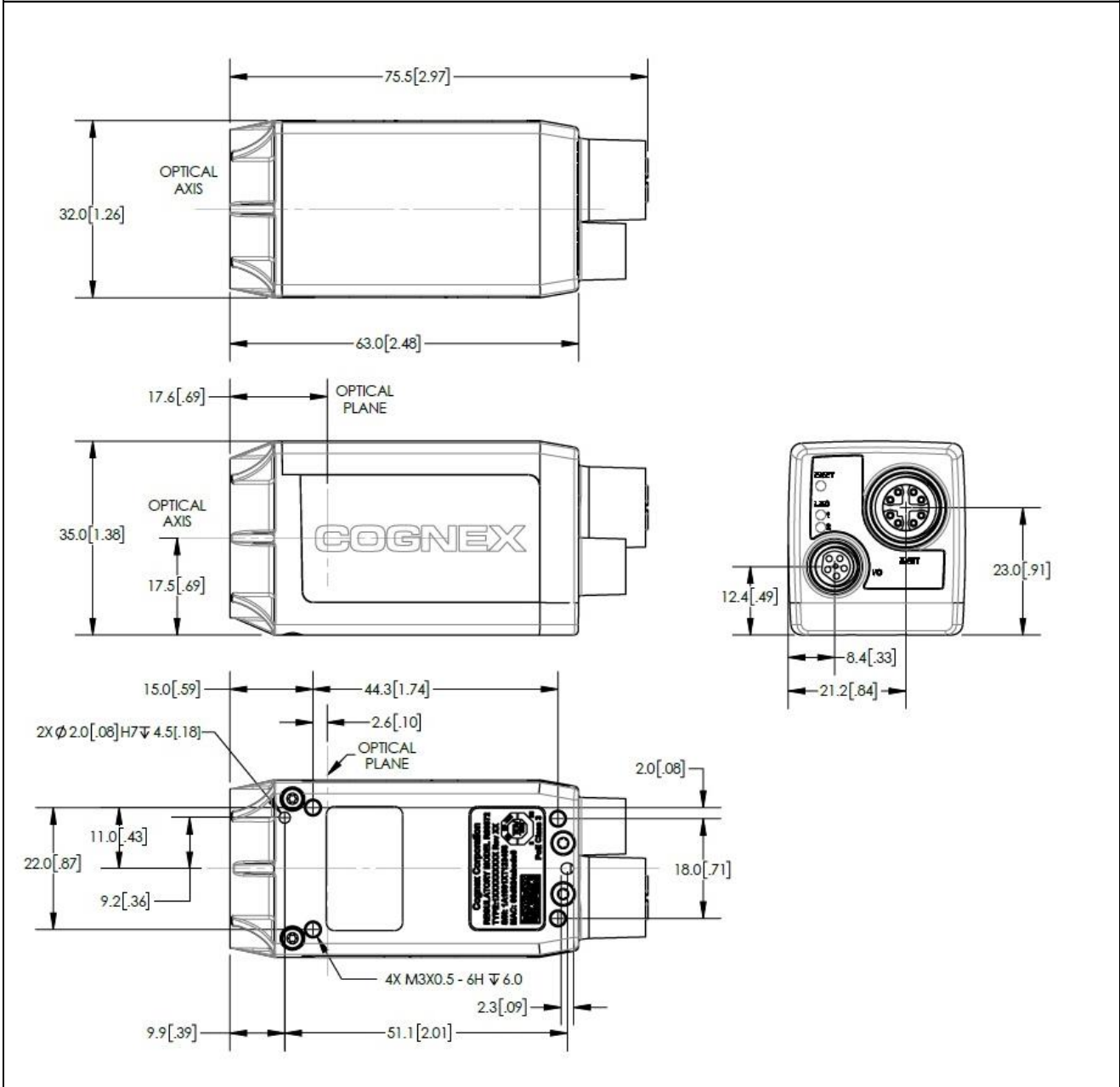
**Extrem kompakte Bauweise**

Die In-Sight 8000 Serie eignet sich durch die kompakte Größe und Power-over-Ethernet (PoE) für minimale Verkabelung optimal für den Einsatz unter beengten Verhältnissen an Robotern und schwer zugänglichen Orten an der Produktionslinie.

Technische Daten		
Modell	In-Sight 8502P	In-Sight 8505P
Bildtyp	Monochrom und Farbe	
Auftrags-/ Programmspeicher	14,8 GB	
Bildverarbeitungs- speicher	512 MB SDRAM	
Sensortyp	CMOS, Global Shutter	
Maximale Auflösung (Pixel)	1920 x 1200 (2 MP)	2448 x 2048 (5 MP)
HDR+ Technik Unterstützung	Ja	
Bilderfassungsrate (Monochrome)	55	32
Bilderfassungsrate (Farbe)	35	17
Objektivtyp	C-Mount	
Anzeige-LEDs	Netzwerkstatus, 2 konfigurierbare LEDs	

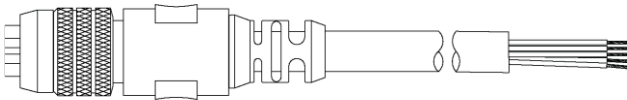
Technische Daten		
Modell	In-Sight 8502P	In-Sight 8505P
Integrierte E/A	1 zugeordneter Triggereingang, 2 Hochgeschwindigkeitsausgänge (einschließlich Strobe). Zusätzliche E/A über externes E/A-Modul CIO-MICRO2 verfügbar.	
Strom	Class 3 Strom über Ethernet (PoE)	
Industrielle Steckverbinder	M12: Stromversorgung/Ethernet, M8: E/A	
Industrielle Protokolle	OPC UA, Ethernet/IP with AOP, PROFINET Class B, iQSS, Modbus TCP, SLMP/SLMP Scanner	
Maße	35 mm x 32 mm x 75,55 mm	
Gewicht	192 g	
Netzwerk-Geschwindigkeit	10/1000/1000 Mbps (Gigabit)	
Rockwell-Zusatzprofil	Ja	
Schutz	IP40	
Mind. Firmware	In-Sight Explorer 5.9	

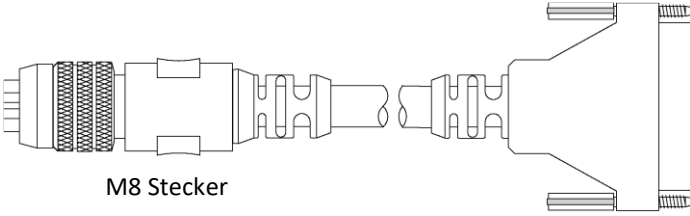
Technische Zeichnung In-Sight 850XP

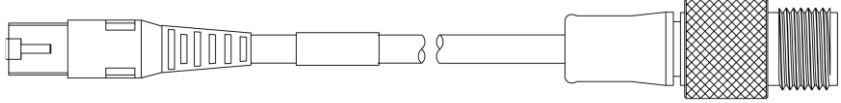


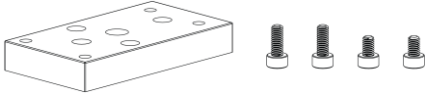



In-Sight 8502 P	
Artikel-Nr.	Bezeichnung
042266	<b>Prüfsystem In-Sight 8502P Toolset: Standard toolset</b> Industrial Protocols: AOP supported; RS-232C: 4800 to 115,200 baud rates when connected to the optional CIO-MICRO I/O module Lens Type: C-Mount Lighting: No built-in lighting Features: Faster processing speeds HDR & HDR+ Small form factor Power over Ethernet (PoE) – Class 3 All the Industrial IO included with In-sight Supports JavaScript 2 High speed outputs 1 High speed input
042267	<b>Prüfsystem In-Sight 8502P Toolset: Standard toolset plus PatMax only</b> Industrial Protocols: AOP supported; RS-232C: 4800 to 115,200 baud rates when connected to the optional CIO-MICRO I/O module Lens Type: C-Mount Lighting: No built-in lighting Features: Faster processing speeds HDR & HDR+ Small form factor Power over Ethernet (PoE) – Class 3 All the Industrial IO included with In-sight Supports JavaScript 2 High speed outputs 1 High speed input
042268	<b>Prüfsystem In-Sight 8502P Toolset: Standard toolset plus PatMax and PatMax RedLine</b> Industrial Protocols: AOP supported; RS-232C: 4800 to 115,200 baud rates when connected to the optional CIO-MICRO I/O module Lens Type: C-Mount Lighting: No built-in lighting Features: Faster processing speeds HDR & HDR+ Small form factor Power over Ethernet (PoE) – Class 3 All the Industrial IO included with In-sight Supports JavaScript 2 High speed outputs 1 High speed input
042269	<b>Farbprüfsystem In-Sight 8502P Toolset: Standard toolset</b> Industrial Protocols: AOP supported; RS-232C: 4800 to 115,200 baud rates when connected to the optional CIO-MICRO I/O module Lens Type: C-Mount Lighting: No built-in lighting Features: Faster processing speeds Small form factor Power over Ethernet (PoE) – Class 3 All the Industrial IO included with In-sight Supports JavaScript 2 High speed outputs 1 High speed input
042270	<b>Farbprüfsystem In-Sight 8502P Toolset: Standard toolset plus PatMax only</b> Industrial Protocols: AOP supported; RS-232C: 4800 to 115,200 baud rates when connected to the optional CIO-MICRO I/O module Lens Type: C-Mount Lighting: No built-in lighting Features: Faster processing speeds Small form factor Power over Ethernet (PoE) – Class 3 All the Industrial IO included with In-sight Supports JavaScript 2 High speed outputs 1 High speed input
042271	<b>Farbprüfsystem In-Sight 8502P Toolset: Standard toolset plus PatMax and PatMax Redline</b> Industrial Protocols: AOP supported; RS-232C: 4800 to 115,200 baud rates when connected to the optional CIO-MICRO I/O module Lens Type: C-Mount Lighting: No built-in lighting Features: Faster processing speeds Small form factor Power over Ethernet (PoE) – Class 3 All the Industrial IO included with In-sight Supports JavaScript 2 High speed outputs 1 High speed input

In-Sight 8505 P	
Artikel-Nr.	Bezeichnung
042272	<b>Prüfsystem In-Sight 8505P Toolset: Standard toolset</b> Industrial Protocols: AOP supported; RS-232C: 4800 to 115,200 baud rates when connected to the optional CIO-MICRO I/O module Lens Type: C-Mount Lighting: No built-in lighting Features: Faster processing speeds HDR & HDR+ Small form factor Power over Ethernet (PoE) – Class 3 All the Industrial IO included with In-sight Supports JavaScript 2 High speed outputs 1 High speed input
042274	<b>Prüfsystem In-Sight 8505P Toolset: Standard toolset plus PatMax only</b> Industrial Protocols: AOP supported; RS-232C: 4800 to 115,200 baud rates when connected to the optional CIO-MICRO I/O module Lens Type: C-Mount Lighting: No built-in lighting Features: Faster processing speeds HDR & HDR+ Small form factor Power over Ethernet (PoE) – Class 3 All the Industrial IO included with In-sight Supports JavaScript 2 High speed outputs 1 High speed input
042275	<b>Prüfsystem In-Sight 8505P Toolset: Standard toolset plus PatMax and PatMax RedLine</b> Industrial Protocols: AOP supported; RS-232C: 4800 to 115,200 baud rates when connected to the optional CIO-MICRO I/O module Lens Type: C-Mount Lighting: No built-in lighting Features: Faster processing speeds HDR & HDR+ Small form factor Power over Ethernet (PoE) – Class 3 All the Industrial IO included with In-sight Supports JavaScript 2 High speed outputs 1 High speed input
042276	<b>Farbprüfsystem In-Sight 8505P Toolset: Standard toolset</b> Industrial Protocols: AOP supported; RS-232C: 4800 to 115,200 baud rates when connected to the optional CIO-MICRO I/O module Lens Type: C-Mount Lighting: No built-in lighting Features: Faster processing speeds Small form factor Power over Ethernet (PoE) – Class 3 All the Industrial IO included with In-sight Supports JavaScript 2 High speed outputs 1 High speed input
042277	<b>Farbprüfsystem In-Sight 8505P Toolset: Standard toolset plus Patmax only</b> Industrial Protocols: AOP supported; RS-232C: 4800 to 115,200 baud rates when connected to the optional CIO-MICRO I/O module Lens Type: C-Mount Lighting: No built-in lighting Features: Faster processing speeds Small form factor Power over Ethernet (PoE) – Class 3 All the Industrial IO included with In-sight Supports JavaScript 2 High speed outputs 1 High speed input
042278	<b>Farbprüfsystem In-Sight 8505P Toolset: Standard toolset plus PatMax and PatMax RedLine</b> Industrial Protocols: AOP supported; RS-232C: 4800 to 115,200 baud rates when connected to the optional CIO-MICRO I/O module Lens Type: C-Mount Lighting: No built-in lighting Features: Faster processing speeds Small form factor Power over Ethernet (PoE) – Class 3 All the Industrial IO included with In-sight Supports JavaScript 2 High speed outputs 1 High speed input

In-Sight 8xxx – Breakout Kabel	
 <p>M8 Stecker</p>	
Artikel-Nr.	Bezeichnung
041152	Kabel, In-Sight Micro/DataMan 200, E/A, 2m M8x5M <-> offenes Ende
040319	Kabel, In-Sight Micro/DataMan 200, E/A, 5m M8x5M <-> offenes Ende
040354	Kabel, In-Sight Micro/DataMan 200, E/A, 10m M8x5M <-> offenes Ende
041153	Kabel, In-Sight Micro/DataMan 200, E/A, 15m M8x5M <-> offenes Ende

In-Sight 8xxx – I/O Modul Kabel	
 <p>M8 Stecker</p> <p>DB15 Stecker</p>	
Artikel-Nr.	Bezeichnung
040353	Kabel, In-Sight Micro, E/A, 5m M8 <-> DB15 für Erweiterungsmodul (Art. 030020)
040498	Kabel, In-Sight Micro, E/A, 10m M8 <-> DB15 für Erweiterungsmodul (Art. 030020)
040580	Kabel, In-Sight Micro, E/A, 15m M8 <-> DB15 für Erweiterungsmodul (Art. 030020)

In-Sight 850X P - Ethernet Kabel	
	
RJ-45 Stecker <span style="margin-left: 200px;">M12 Stecker, x-kodiert</span>	
Artikel-Nr.	Bezeichnung
041371	Kabel, DataMan 26x, In-Sight 2000, Ethernet, 2m M12 x-kodiert
041242	Kabel, DataMan 26x, In-Sight 2000, Ethernet, 5m M12 x-kodiert
041372	Kabel, DataMan 26x, In-Sight 2000, Ethernet, 10m M12 x-kodiert
041373	Kabel, DataMan 26x, In-Sight 2000, Ethernet, 15m M12 x-kodiert
041497	Kabel, DataMan 26x, In-Sight 2000, Ethernet, 30m M12 x-kodiert
041977	Kabel Ethernet Rob, M12 x-kod. ger. <-> RJ45, 2m
041978	Kabel Ethernet Rob, M12 x-kod. ger. <-> RJ45, 5m
041979	Kabel Ethernet Rob, M12 x-kod. ger. <-> RJ45, 10m

In-Sight 8xxx – Zubehör allgemein		
Artikel-Nr.	Bezeichnung	
041464	Halterung für In-Sight 8000	
070034	Universalhalter für In-Sight Micro	
060012	Power-over-Ethernet PoE- Injector, 230 VAC	
060013	Power-over-Ethernet PoE- Injector, 24VDC, Hutschienenmontage	
030020	Erweiterungsmod. Ethernet, In-Sight 7xxx u. Micro PoE für Micro zus. 8 dig. Eingänge und 8 dig. Ausgänge. Für Verwendung von High-Speed E/A beim In-Sight Micro ist separates Kabel erforderlich (1 Eingang und 2 Ausgänge). RS-232 Kommunikation wird beim In-Sight Micro auf dem Modul unterstützt.	